

Wall mounted
Head'line 90 cm (without motor)
Stainless steel

EAN 5414425078059



Energy label

▪ Lighting Efficiency class (LEhood) C

Functions & features

▪ Control method	Push buttons
▪ Number of speeds	3 + power
▪ Automatic Power revert (minutes)	6
▪ Motor	Without
▪ Sound absorber	Integrated
▪ InTouch function	Optional
▪ Auto stop	▪
▪ Delayed switch off (minutes)	10
▪ Number of grease filters	2
▪ Grease filter	7400020
▪ Grease filter cleaning indication	▪
▪ Recirculation filter cleaning indication	-

Dimensions

▪ Product dimensions exhaust (WxDxHmin-Hmax) (mm)	900 x 640 x 630 - 1300
▪ Product dimensions recirculation (WxDxHmin-Hmax) (mm)	900 x 640 x -
▪ Max height optional chimney exhaust (mm)	1900
▪ Advised mounting height induction hobs (Hmin-Hmax) (mm)	500 - 600
▪ Advised mounting height gas hobs (Hmin-Hmax) (mm)	500 - 600
▪ Advised mounting height ceramic hobs (Hmin-Hmax) (mm)	500 - 600
▪ Diameter outlet (mm)	150
▪ Position exhaust	Top, Back

Lighting

▪ Functional lighting type	Led strip
▪ Dimmable light	-
▪ Soft-ON/OFF	-
▪ Total energy consumption functional light (W)	16
▪ Color functional light	3000

Airflow and noise level

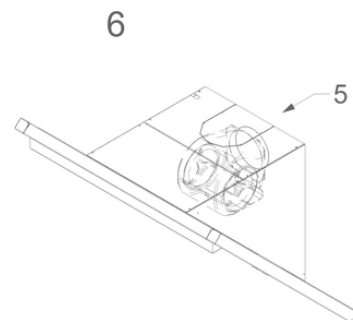
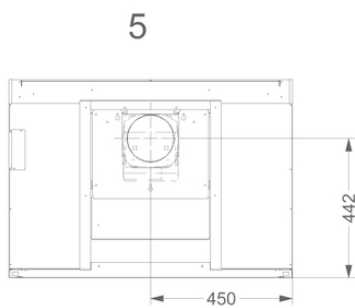
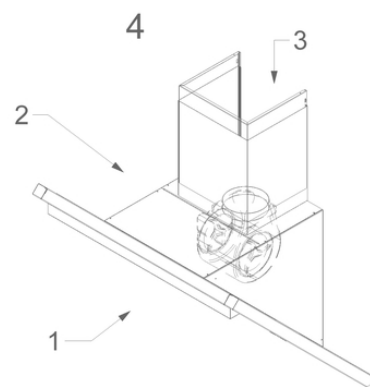
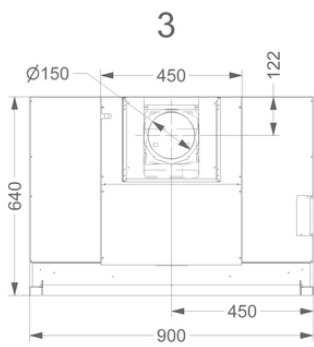
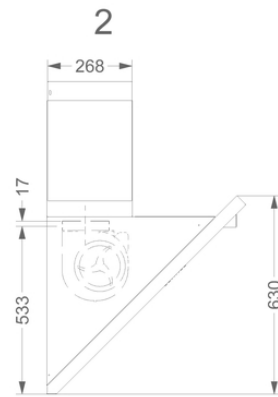
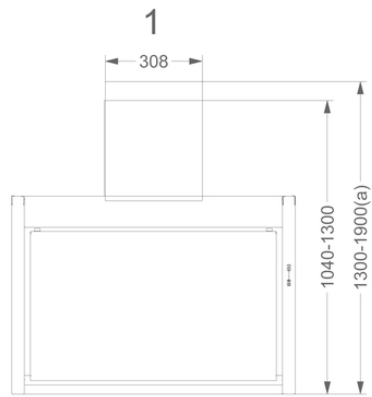
▪ Airflow (m³/h) measured according to
 ▪ Sound regulation according to

Technical specifications

▪ Maximum power (W)	20
▪ Voltage cooker hood (V)	220-230
▪ Frequency (Hz)	50

Technical specifications

▪ Length power supply cord (m)	1,3
▪ Power consumption in stand-by-mode (Ps) (W)	0.29
▪ Net weight (kg)	44,2



Installation accessories

Dissociated motor

- | | |
|----------|---|
| ▪ 245999 | Remote motor for installation inside |
| ▪ 445999 | Wall motor |
| ▪ 645999 | Flat roof motor 48,8 cm high, 790 m ³ /h |
| ▪ 745999 | Flat roof motor 48,8 cm high, 1.150 m ³ /h |
| ▪ 655999 | Flat roof motor with silencer 78,4 cm high, 790 m ³ /h |
| ▪ 755999 | Flat roof motor with silencer 78,4 cm high, 1.145 m ³ /h |

Extension cable

- | | |
|-----------|---------------------|
| ▪ 7000092 | Extension cable 5 m |
|-----------|---------------------|

Back panel & chimney extensions

- | | |
|-----------|--|
| ▪ 150250 | Back panel stainless steel 90cm width, 50cm height |
| ▪ 7410100 | Chimney extension |

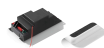
Accessories

Control kit



990030

Control kit for external lighting or valve



990021

InTouch Kit incl. remote control

